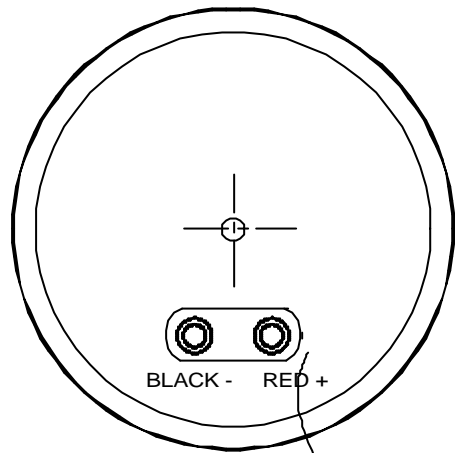
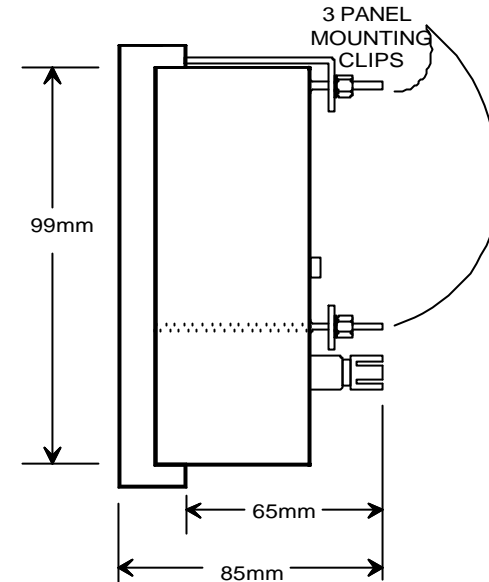
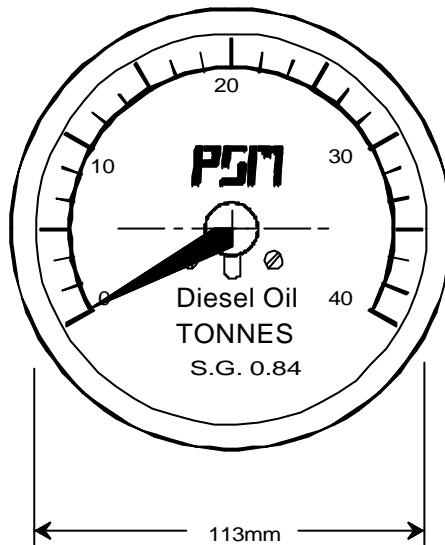
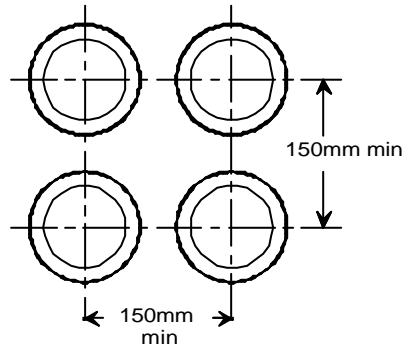


SALES DRAWING ONLY
NOT TO BE USED FOR MANUFACTURE



TERMINATIONS



Dial face scaled to suit customer requirements

Panel cut out 103/106mm

ISSUE	B
DATE	08-4-97
DCR	
DRAWN	JEK
CHECKED	



INSTRUMENTATION LIMITED
HAYWARDS HEATH WEST SUSSEX

SCALE
NTS

UNLESS OTHERWISE STATED DIMENSIONS ARE IN
MILLIMETRES / ~~INCHES~~

TITLE
Series 650 Panel Mounting
4" dial Electronic Indicator

DRAWING NO
S-001077-650-DD

A4 SHT 1
OF 1