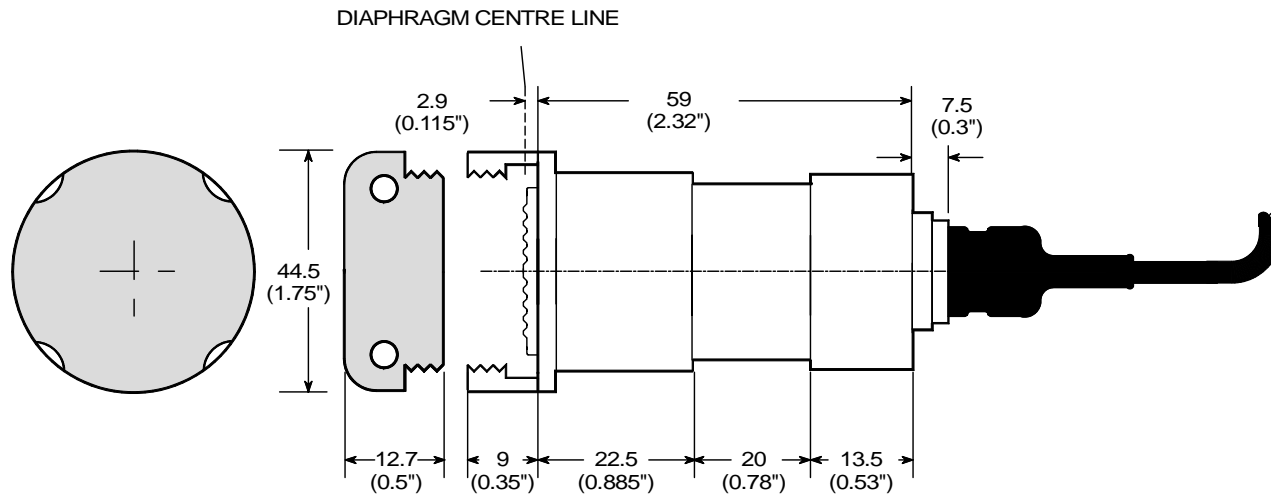
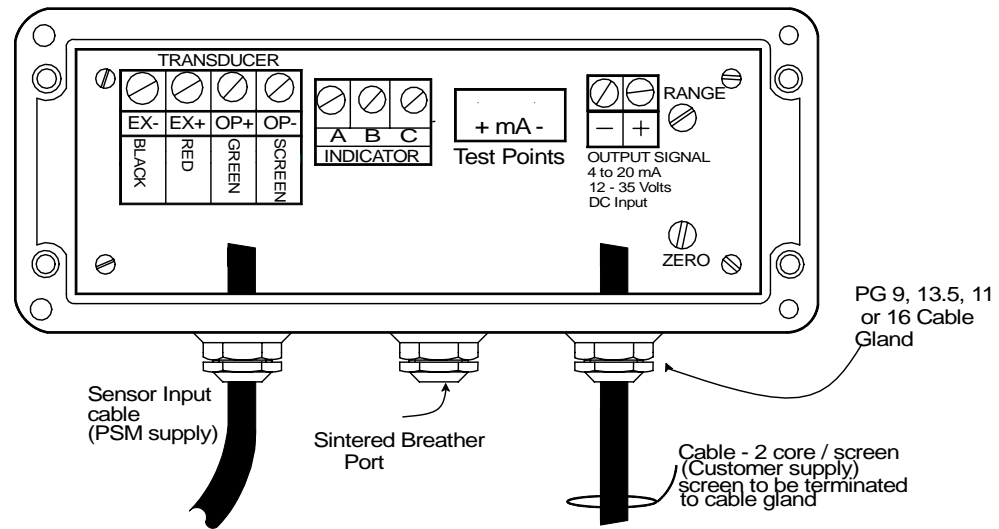


SALES DRAWING ONLY  
NOT TO BE USED FOR MANUFACTURE



ISSUE	A	B
DATE	11-05-99	13-03-08
DCR	JEK	JEC
DRAWN	JEK	JEC
CHECKED		

**PSm** Instrumentation Ltd

Haywards Heath, West Sussex RH16 1TW  
 ph: 44 (0) 1444 410040 f: 44 (0) 1444 410121  
<http://www.psm-sensors.co.uk>

SCALE  
NTS

UNLESS OTHERWISE STATED DIMENSIONS ARE IN  
MILLIMETRES / INCHES

TITLE  
260/360 SERIES F1  
SUBMERSIBLE

DRAWING NO  
S001103-360-DD

A4  
SHT 1  
OF 1