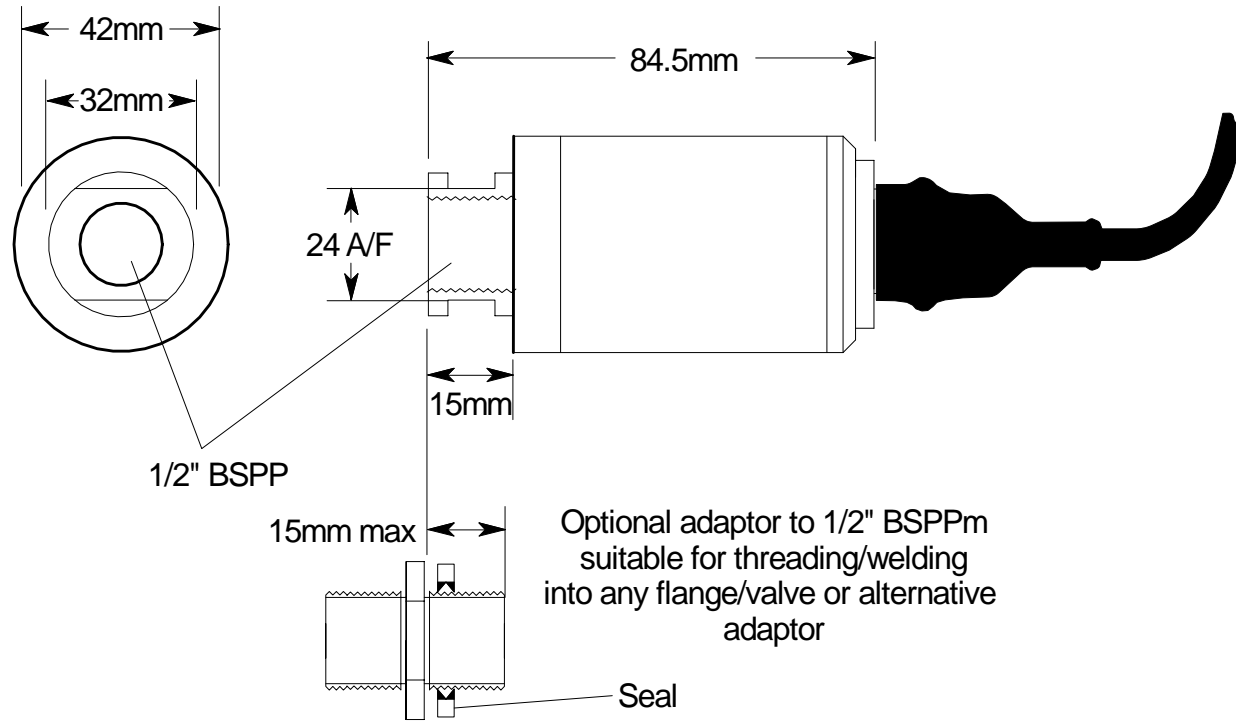


SALES DRAWING ONLY
NOT TO BE USED FOR MANUFACTURE



ISSUE	A	B	C	D	E	F
DATE	20-08-02	22-10-02	18-01-07	18-01-08	09-09-08	03-02-09
DCR	JEK	JEK	JEK	JEC	JEC	JEC
DRAWN	JEK	JEK	JEK	JEC	JEC	JEC
CHECKED						

PSm Instrumentation Ltd

Haywards Heath, West Sussex RH16 1TW
 ph: 44 (0) 1444 410040 f: 44 (0) 1444 410121
<http://www.psm-sensors.co.uk>

SCALE
NTS

UNLESS OTHERWISE STATED DIMENSIONS ARE IN
MILLIMETRES / INCHES

TITLE
iCT Dimensional
Drawing (non ATEX only)

DRAWING NO
S-001177-iCT-DD

A4 SHT 1 OF 1