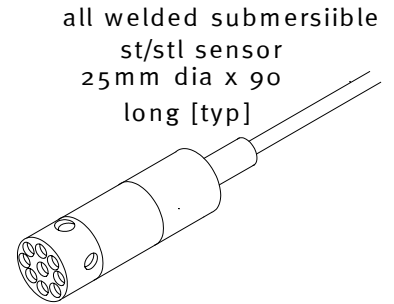
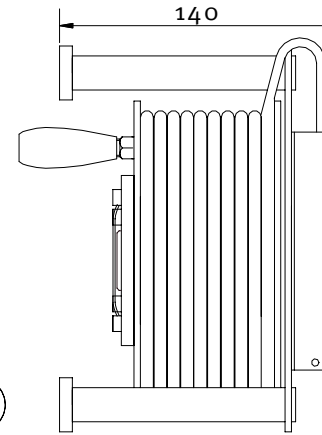
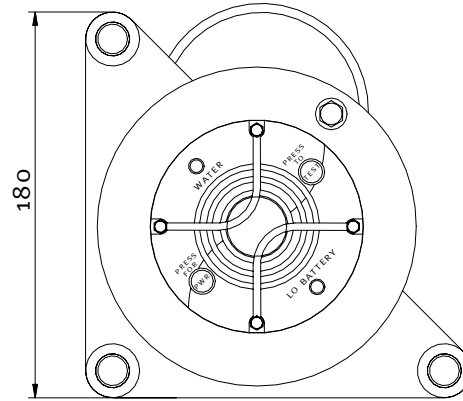
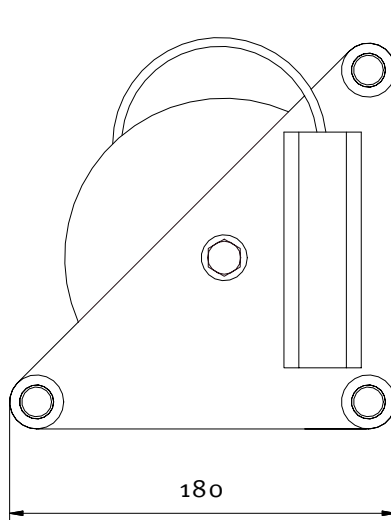
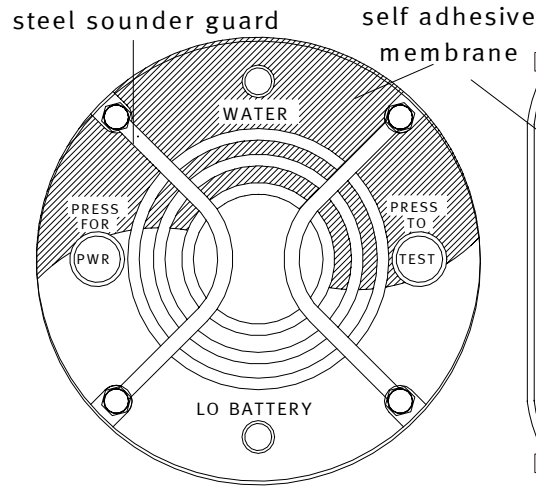


SALES DRAWING ONLY
NOT TO BE USED FOR MANUFACTURE

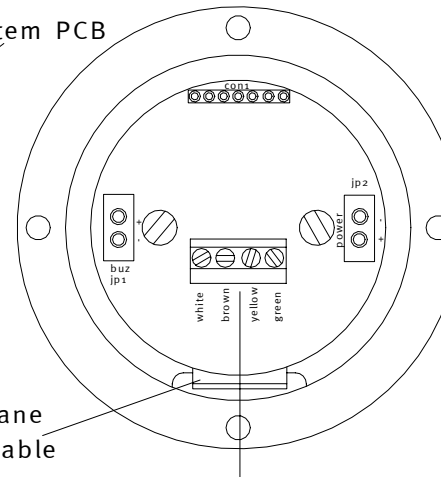
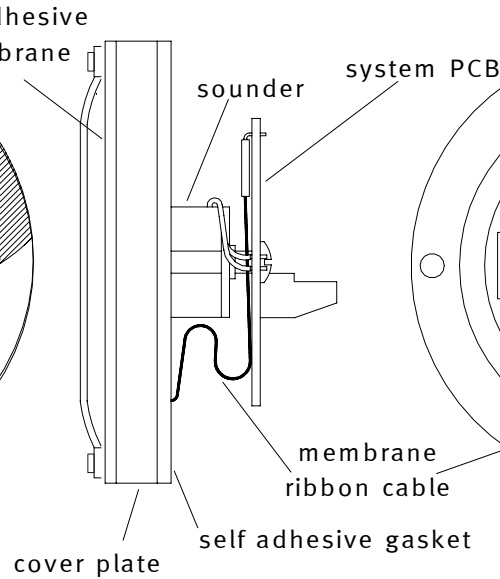


all welded submersible
st/stl sensor
25mm dia x 90
long [typ]

max 25 mtrs
high performance
flexible cable. HF-120.
4x0.14mm SQ, O/D5mm
Polyolefin insulation,
Polyurethane outer sheath



membrane switches and
indicator lamp detail



remote sensor
terminal block

ISSUE	A	B	C	D
DATE	07-11-05	08-1-07	01-02-07	29-07-07
DCR	JEK	JEK	JEK	JEK
DRAWN	JEK	JEK	JEK	JEK
CHECKED	PC	PC	PC	PC

PSM Instrumentation Ltd

Haywards Heath, West Sussex RH16 1TW
ph: 44 (0) 1444 410040 f: 44 (0) 1444 410121
<http://www.psm-sensors.co.uk>

SCALE
NTS

UNLESS OTHERWISE STATED DIMENSIONS ARE IN
MILLIMETRES / INCHES

TITLE
Water in oil detector
Outline drawing

DRAWING NO
S-001242-WIO-AS

A4 SHT 1
OF 1