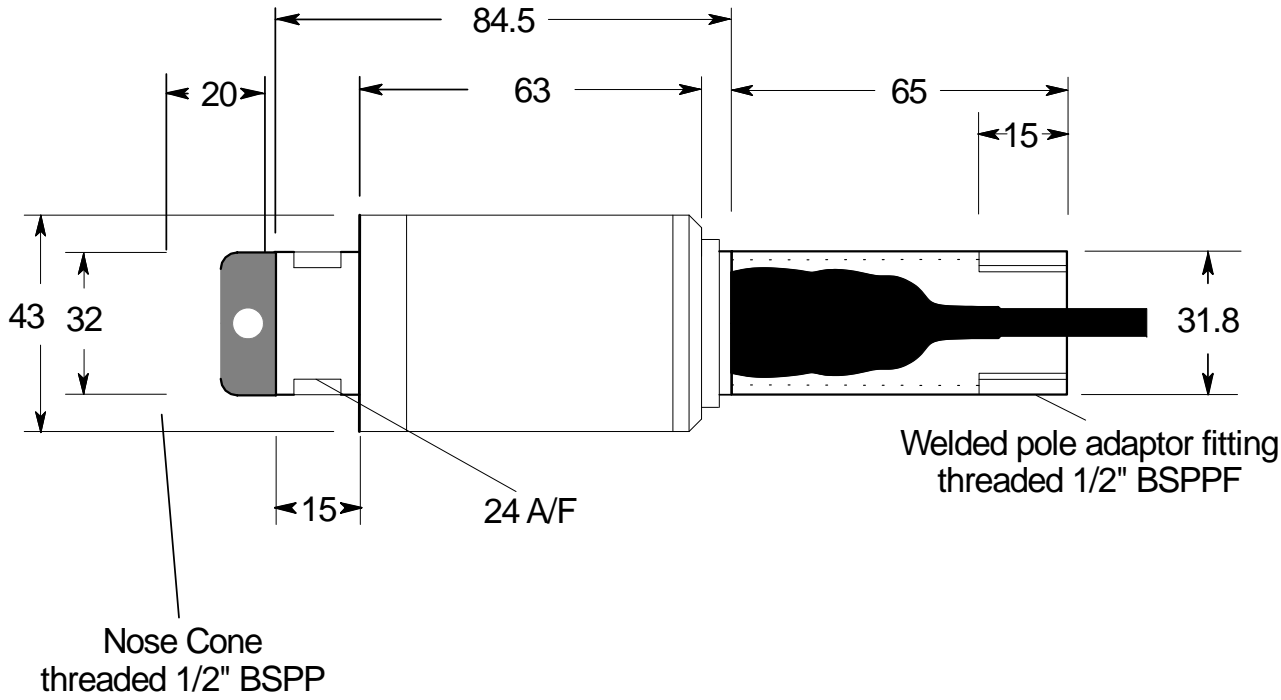
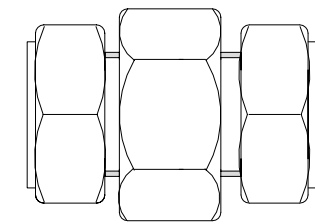


SALES DRAWING ONLY
NOT TO BE USED FOR MANUFACTURE



Optional 1 1/4" BSP
compression coupling



ISSUE	A	B	C	D
DATE	30-1-2007	01-2-2007	04-8-2008	05-8-2008
DCR				
DRAWN	PC	PC	PC	PC
CHECKED	JK	JK	JK	JK

Non Atex versions only

PSm Instrumentation Ltd

Haywards Heath, West Sussex RH16 1TW
ph: 44 (0) 1444 410040 f: 44 (0) 1444 410121
<http://www.psm-sensors.co.uk>

SCALE
NTS

UNLESS OTHERWISE STATED DIMENSIONS ARE IN
MILLIMETRES / INCHES

TITLE
**Submersible iCT
with pole adaptor fitting**

DRAWING NO
S-001274-iCT-GO

A4 SHT 1
OF 1