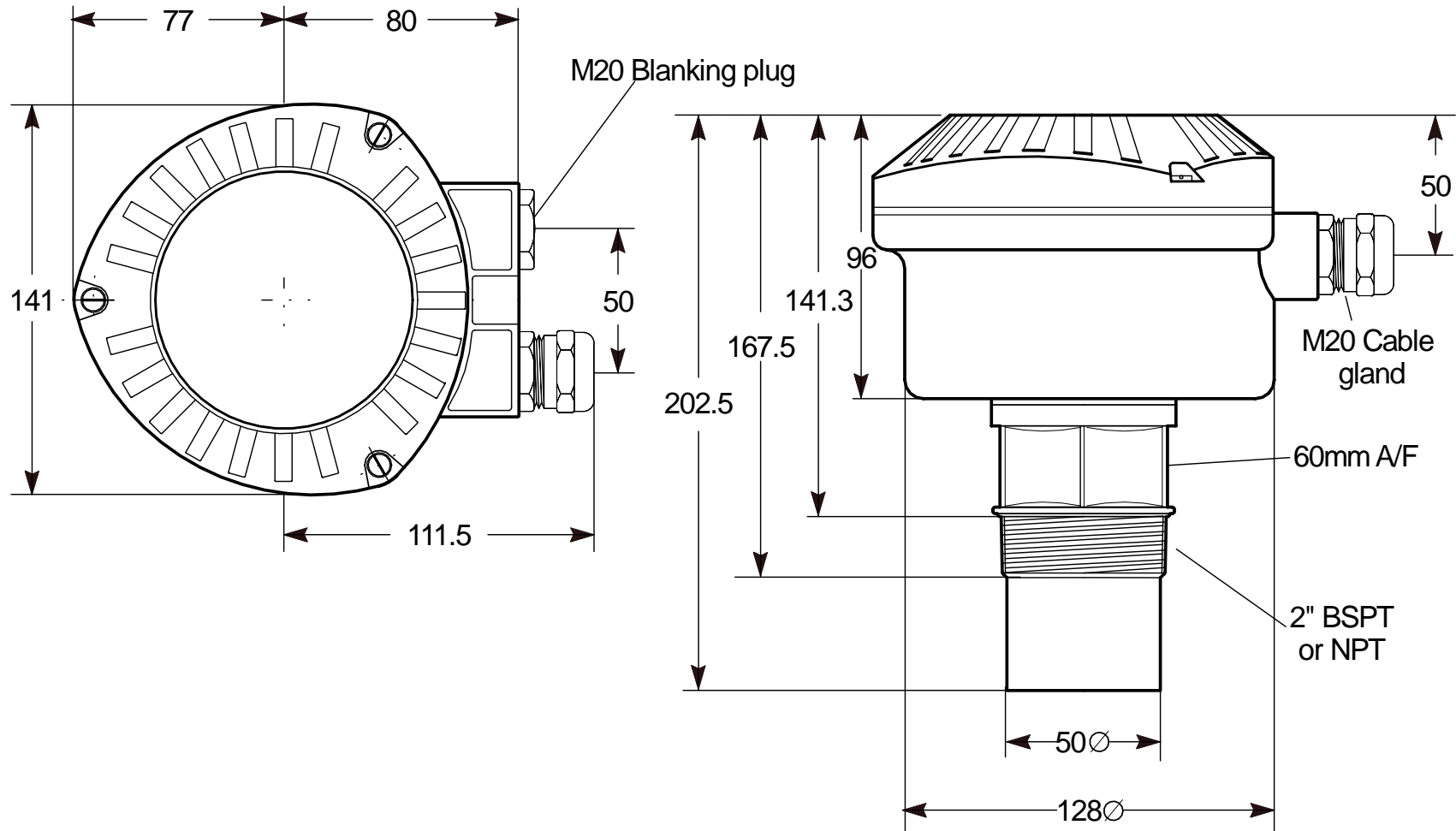


SALES DRAWING ONLY  
NOT TO BE USED FOR MANUFACTURE



ISSUE	A
DATE	24-01-08
DCR	
DRAWN	JEC
CHECKED	

**PSm** Instrumentation Ltd

Haywards Heath, West Sussex RH16 1TW  
ph: 44 (0) 1444 410040 f: 44 (0) 1444 410121  
<http://www.psm-sensors.co.uk>

SCALE  
NTS

UNLESS OTHERWISE STATED DIMENSIONS ARE IN  
MILLIMETRES / INCHES

TITLE  
Ultrameter I

DRAWING NO  
S-001304-3000-GO

**A4** SHT 1 OF 1