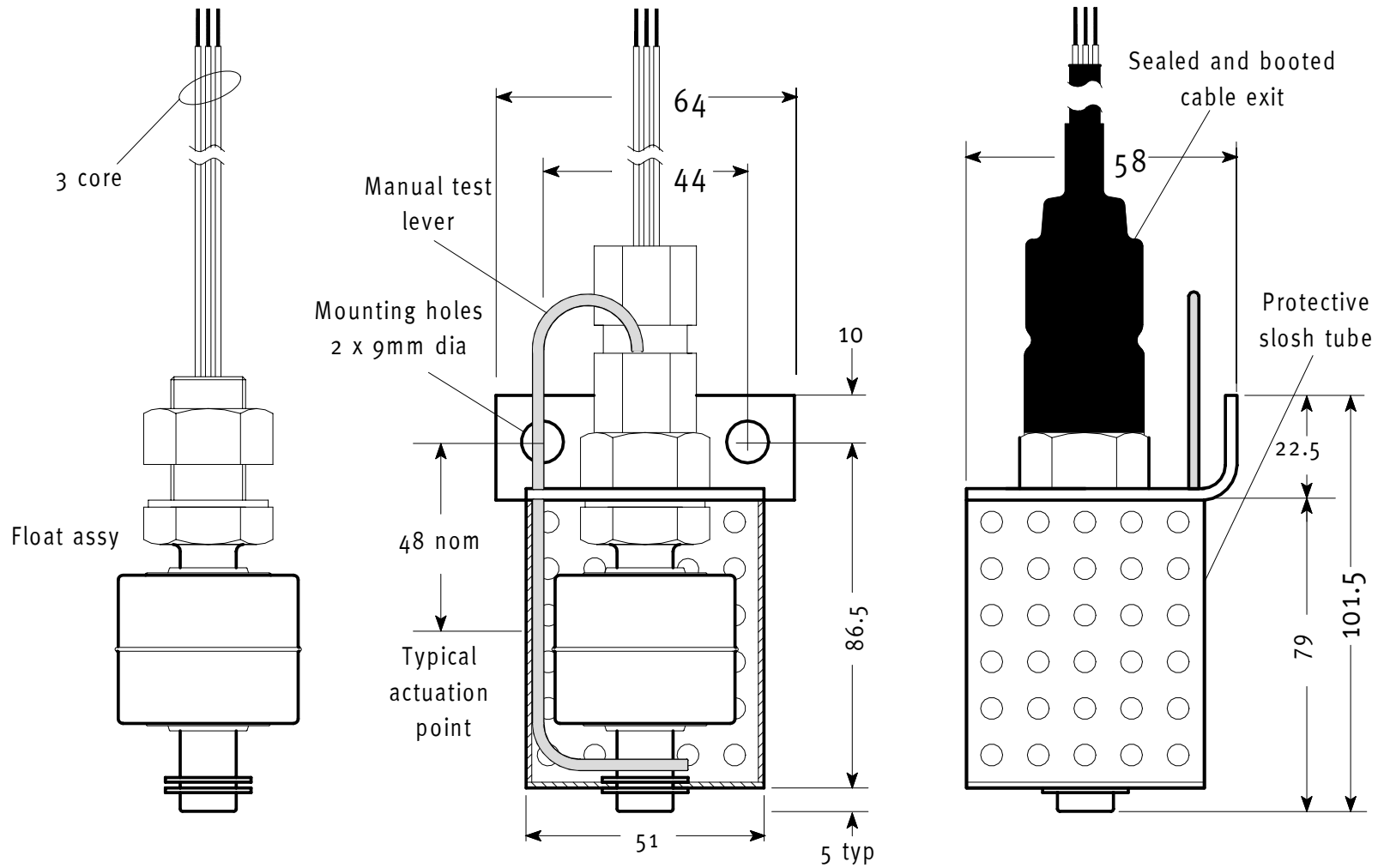


SALES DRAWING ONLY  
NOT TO BE USED FOR MANUFACTURE



All Dimensions are nominal

**PSm** Instrumentation Ltd

Haywards Heath, West Sussex RH16 1TW  
ph: 44 (0) 1444 410040 f: 44 (0) 1444 410121  
<http://www.psm-sensors.co.uk>

SCALE  
NTS

UNLESS OTHERWISE STATED DIMENSIONS ARE IN  
MILLIMETRES / INCHES

TITLE  
BLS Bilge Switch  
Series 9200 General Outline

DRAWING NO  
S-001311-9200-GO

A4

SHT 1  
OF 1

ISSUE	DATE	DCR	DRAWN	CHECKED
A	30-06-08		JEC	JEC
B	23-10-08		JEC	JEC
C	09-09-09		JEC	JEC