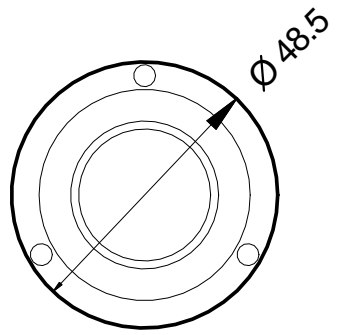
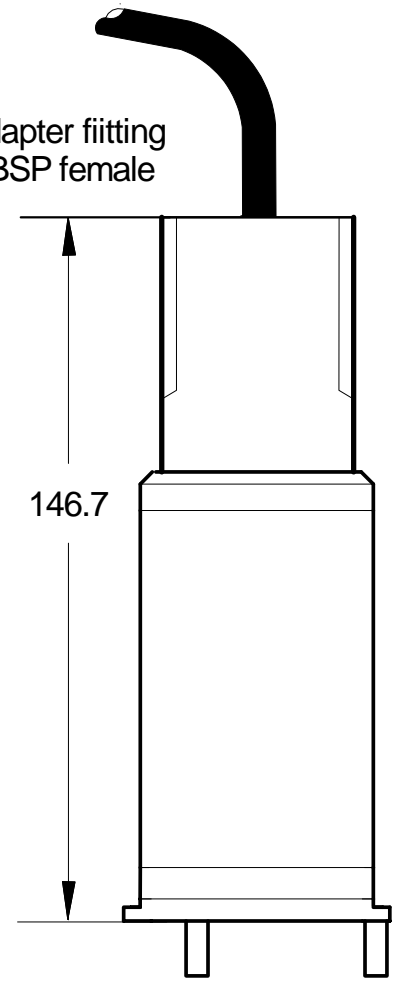


Optional pole adapter fitting
threaded 1/2" BSP female



ISSUE	A
DATE	15-06-2009
DCR	JC
DRAWN	JC
CHECKED	

PSm Instrumentation Ltd

Haywards Heath, West Sussex RH16 1TW
 ph: 44 (0) 1444 410040 f: 44 (0) 1444 410121
<http://www.psm-sensors.co.uk>

SCALE
NTS

UNLESS OTHERWISE STATED DIMENSIONS ARE IN
MILLIMETRES / INCHES

TITLE
Free standing iCT (ATEX)

DRAWING NO
S-001324-iCT-GO

A4 SHT 1 OF 1